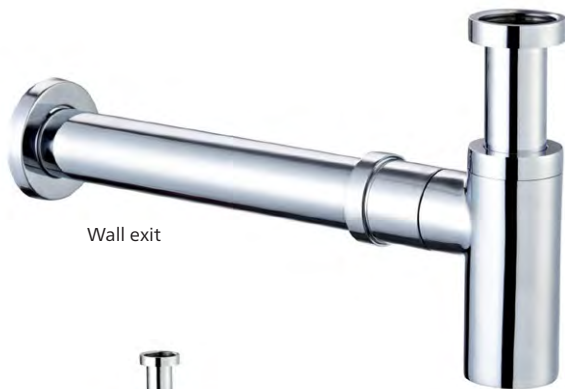
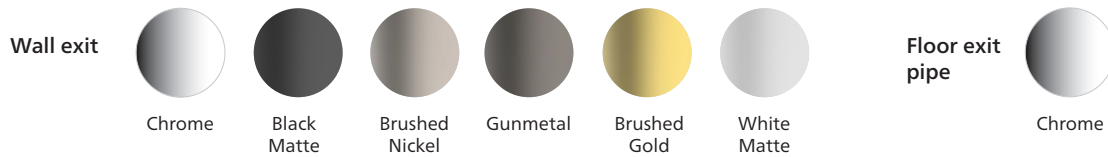
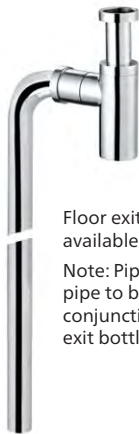


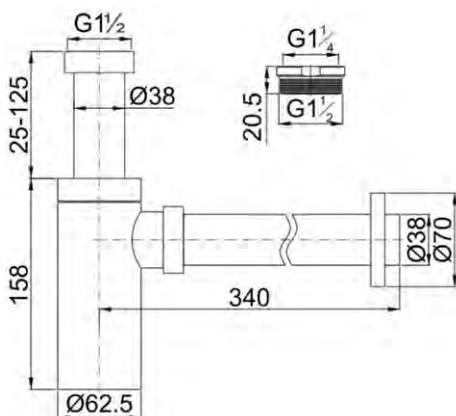
# Bottle Trap



Wall exit



Floor exit pipe available in Chrome.  
Note: Pipe only – pipe to be used in conjunction with wall exit bottle trap.



## Bottle trap for wall basins and basins with exposed plumbing

- Wall exit available in multiple colours
- Floor exit available in Chrome only
- Solid brass base
- Suits 40 mm waste holes

### Order codes

WALL EXIT	
191822	Bottle trap, wall exit, Chrome
192120	Bottle trap, wall exit, Brushed Nickel
192200	Bottle trap, wall exit, Gunmetal
192121	Bottle trap, wall exit, Brushed Gold
192122	Bottle trap, wall exit, White Matte
191836	Bottle trap, wall exit, Black Matte

FLOOR EXIT – PIPE ONLY – CHROME	
191824	Chrome floor exit pipe

### Product details

WASTE	Suits 40 mm wastes.
FIXING	Must be fitted by a licensed plumber. Warranty does not cover any fault caused by installation or part installation by an unlicensed person. Ensure all o-rings are lubricated with silicone based lubricant. Fit connection pipe to plug and washer. Adjust trap height (trim connection pipe as required) to line up with wall outlet pipe and ensure there is a minimum 1.5 degree fall in the outlet pipe when installed. Measure and trim outlet pipe, ensuring there is adequate allowance for pipe and rubber seal to fit into DWV female socket. Fit rubber seal over outlet pipe and fit into 40mm DWV female socket. Fit protective cover over outlet pipe prior to final connection to plumbing. Firmly tighten all joints. Do not over-tighten. Test for leaks.
CLEANING	Clean with soapy water. Do not use corrosive or abrasive cleaners.
MATERIAL	Brass alloy base.



# SEIMA

kitchen + laundry + bathroom ware

seima.com.au

### Please note

- All measurements are in millimetres.
- Use silicone sealant. Do not use epoxy type adhesives.
- Specifications may vary without notice as part of our continuous improvement practices.
- Clean with a damp cloth. Do not use abrasive cleaners, liquids or pastes.